

BIO

BETONIERE AD INVERSIONE



officine

PICCINI

BIO

Informazioni tecniche

Technical information
Informations techniques
Informaciones técnicas



PESO
WEIGHT - POIDS - PESO

VOLUME BICCHIERE
DRUM VOLUME - VOLUME CUVE - VOLUMEN TROMPO

RESA EFFETTIVA
ACTUAL OUTPUT - RENDEMENT EFFECTIF - CAPACIDAD EFECTIVA

GIRI BICCHIERE
DRUM RPM - TOURS CUVE - REVOLUCIONES CUBA

VOLUME BENNA/SKIP
BUCKET/SKIP VOLUME - VOLUME GODET /SKIP - VOLUMEN CUCHARA/SKIP

MOTORE DIESEL
DIESEL ENGINE - MOTEUR DIESEL - MOTOR DIESEL

MOTORE ELETTRICO
ELECTRIC MOTOR - MOTEUR ELECTRIQUE - MOTOR ELÉCTRICO

BIO 500/S

BIO 750/S

BIO 500/B

BIO 500/BD
compact

BIO 750/BD
compact

Kg. 1150

Kg. 2170

Kg. 1240

Kg. 1260

Kg. 1820

lt. 500

lt. 750

lt. 500

lt. 500

lt. 750

lt. 350

lt. 500

lt. 350

lt. 350

lt. 500

18/1'

16/1'

18/1'

18/1'

16/1'

lt. 500

lt. 750

lt. 500

lt. 500

lt. 750

-

-

-

HP/Kw
10/7,5

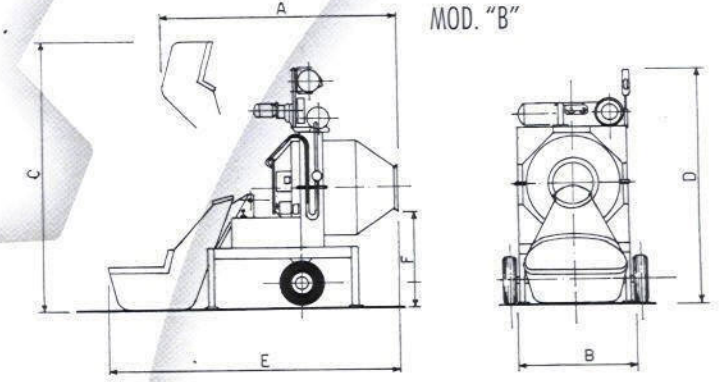
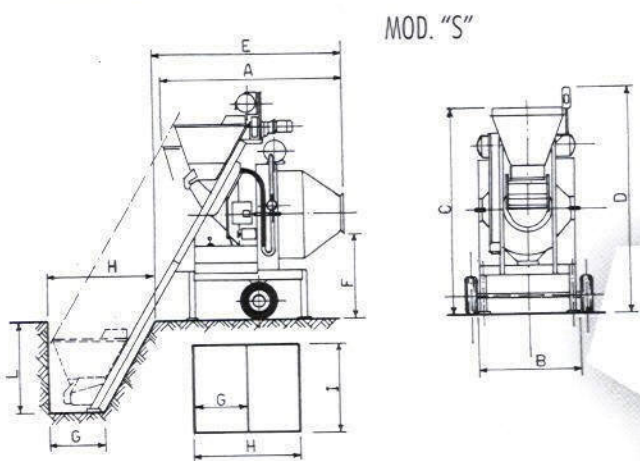
HP/Kw
20/15

HP/Kw
5,5/4

HP/Kw
10/7,5

HP/Kw
5,5/4

HP/Kw 5,5/4 HP/Kw 10/7,5 HP/Kw 5,5/4 - -



| Dati tecnici Technical data Données techniques Datos técnicos | | MOD. "S" | |
|--|-----|-----------|-----------|
| | | BIO 500/S | BIO 750/S |
| A | mm. | 2580 | 3800 |
| B | mm. | 1450 | 1800 |
| C | mm. | 2800 | 3120 |
| D | mm. | 3150 | 3000 |
| E | mm. | 2500 | 3600 |
| F | mm. | 1100 | 1210 |
| G | mm. | 900 | 900 |
| H | mm. | 1500 | 1700 |
| I | mm. | 1500 | 1700 |
| L | mm. | 1200 | 1300 |

| Dati tecnici Technical data Données techniques Datos técnicos | | MOD. "B" | | |
|--|-----|-----------|-----------------------|-----------------------|
| | | BIO 500/B | BIO 500/BD compact | BIO 750/BD compact |
| A | mm. | 2680 | 2680 | 2900 |
| B | mm. | 1380 | 1380 | 1700 |
| C | mm. | 3050 | 3050 | 3300 |
| D | mm. | 2840 | 2840 | 2980 |
| E | mm. | 3580 | 3580 | 3900 |
| F | mm. | 1210 | 1200 | 1210 |
| G | mm. | - | - | - |
| H | mm. | - | - | - |
| I | mm. | - | - | - |
| L | mm. | - | - | - |



UTRANAZZ (BOURNE END) LIMITED

Sole UK and Commonwealth Concessionaires

Thorney Lane, Iver, Buckinghamshire, SL0 9HE

Telephone: (01753) 654554/654629 Facsimile: (01753) 630043

E-mail: info@utranazz.com Web-site: www.utranazz.com

momento modifiche ai modelli descritti in questo catalogo, per ragioni di natura tecnica o commerciale. Le
ard. Per ulteriori informazioni, il cliente è pregato di rivolgersi al più vicino Concessionario.

moment the machines shown in this catalogue for commercial or technical reasons. The pictures shown in this
for more detailed information please contact the nearest dealer.

Stampato su carta riciclata

G&V Associati - Gubbio - HTTP://www.gvassociati.it